

# RELAX

Guy Bonneville

# BLAM

DRIVEN BY PASSION

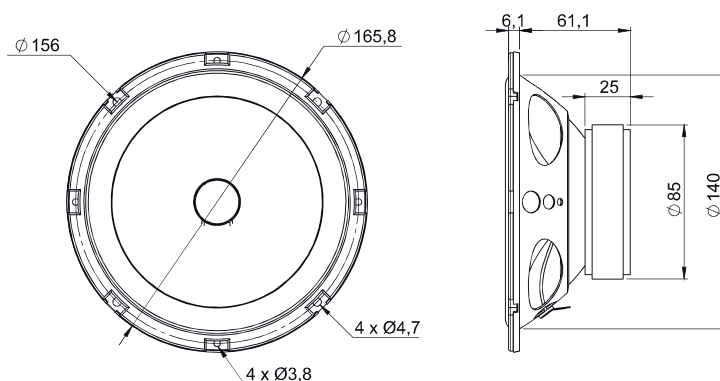
## 165 RS/RX

Woofer

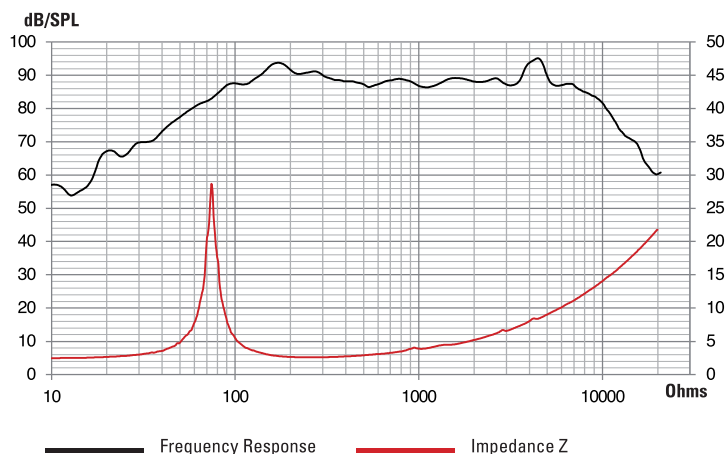
- Woofer 6-1/2 " (165 mm)
- Max power 150 W / Nom. power 75 W
- Frequency response 60 Hz - 8 KHz
- Impedance 2 Ohms

### TECHNICAL SPECIFICATIONS

Component	Speakers	
Max power	150 W	
Nominal power	75 W	
Impedance	2 Ω	
Freq. Response	60 Hz -8 KHz	
Sensitivity (2,83V/1m)	94,9 dB	
Magnet	Ferrite	
Magnet size Ø x h	85 x 17 mm	3,35" x 0,67"
Total driver displacement	0,2 l	0,007 cf
Weight of one component	1 kg	2,205 lb
Voice coil Ø	25 mm	0,984"
Voice coil height	11 mm	0,433"
Cone	Carbone fiber	



### FREQUENCY RESPONSE / IMPEDANCE



### THIELE-SMALL PARAMETERS

effective Ø (d)	130 mm
Sd	132,73 cm <sup>2</sup>
Xmax	3 mm
Re	2,4 Ω
Fs	74,25 Hz
Le	128,41 µH @ 1 kHz
Le	248,29 µH @10 kHz
Vas	11,85 L
Mms	9,60 g
Cms	0,000479 m/N
BL	3,64 Tm
Qts	0,74
Qes	0,81
Qms	8,86
Sensitivity (dB/W/m)	89,7 dB